

PACKING LIST

Frame	pcs
Column	2
Feet	2
End pipe	2
Outer pipe	2
Conection pipe	2
Cable clamp	6
Rubber washer	8
Hole cap	8
Control Box / Handset	pcs
Control box	1
Handset	1
AC cable	1
Screws	pcs
Screw for motor house / Outer pipe, M6x16	8
Screw for feet, M10x16mm	8
Tailstock for connection pipe, M10x8mm	8
Screw for tabletop, Ø5x20mm	8
Screw for handset, Ø4x22mm	2

TIGHTENING TORQUE

Tailstock	Maximum 6Nm
Screw for motor house and outer pipe	Maximum 10Nm
Screw for feet and tabletop	Maximum 10Nm
Screw for handset	< 6Nm
Make sure all screws are tightened, also after a period of use!	

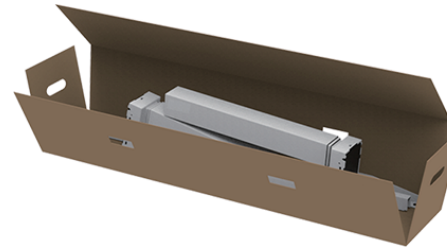
REST THE DESK BEFORE USE

Press both up and down buttons at the same time for 3 seconds. Continue pressing the buttons until both columns are in lowest position. When finish reset, the control box makes a sound and the buttons can be released. Now the system is operational.

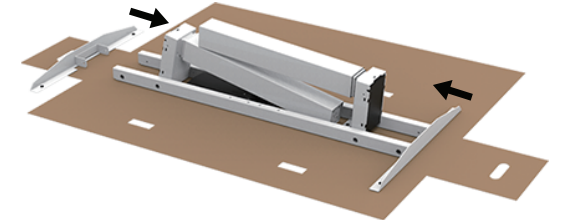
WARNING

Carefully arrange all the cables not to be damaged by tabletop screws.

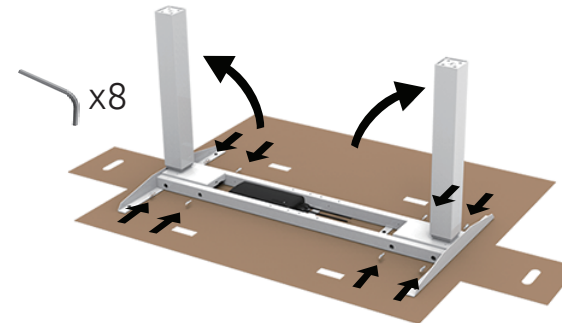
Step 1



Step 2



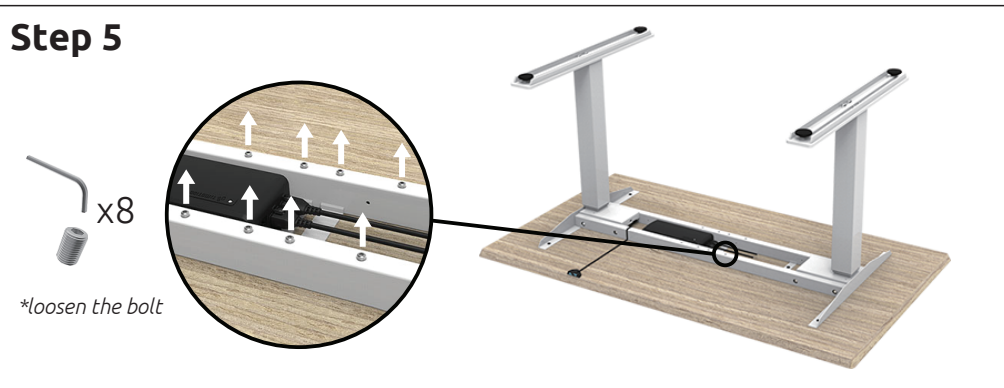
Step 3



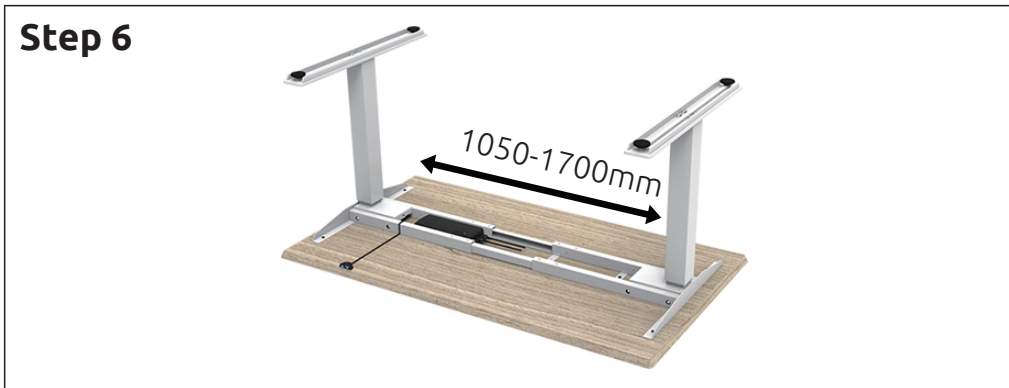
Step 4



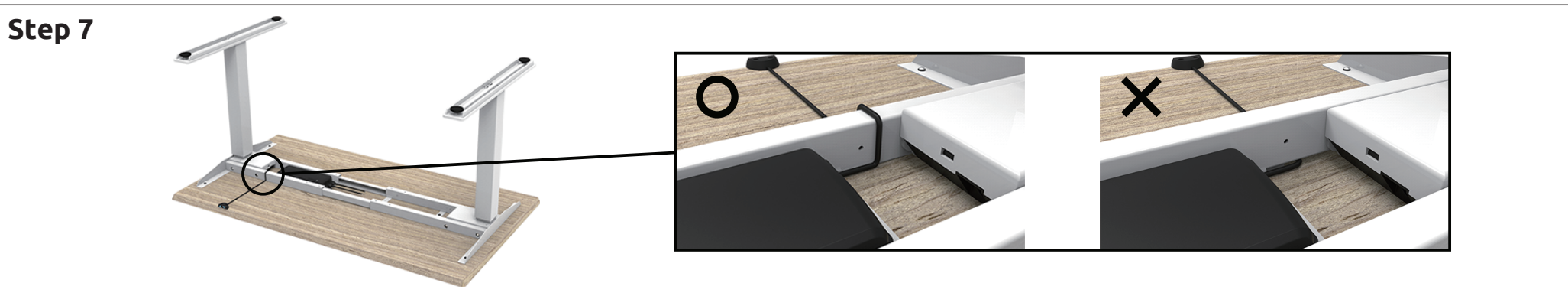
Step 5



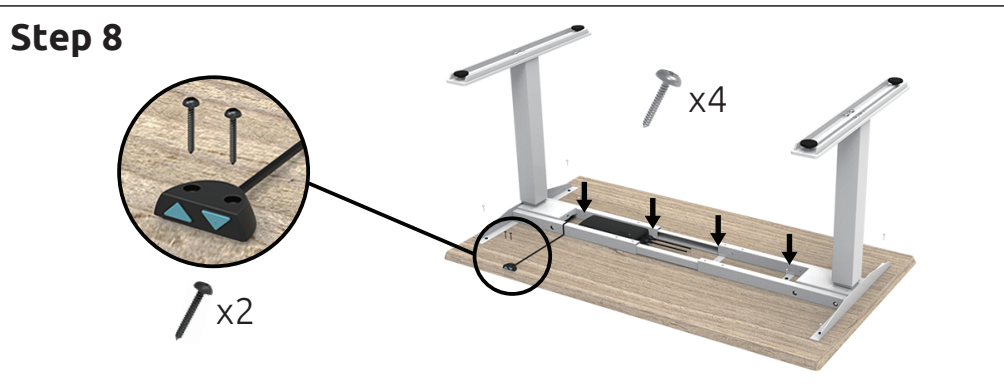
Step 6



Step 7



Step 8



Step 9

