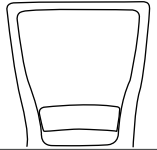

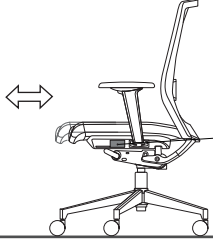
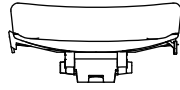
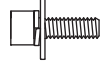
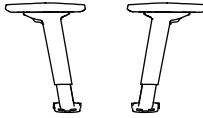

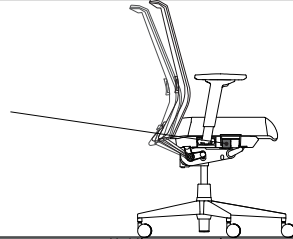
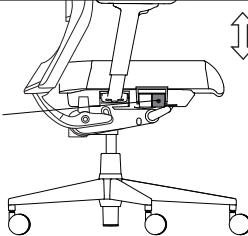
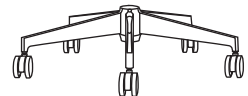



# Autobalance Task assembly instructions



**! WARNING**

- Always check tied all screws.
- Only for sitting purpose.
- Away from heating.
- Avoid sitting or stepping on the armrest.

| PARTS LIST                                                                                               |                                                                                                                 | FUNCTION                                                                                                                                                                                                                  |
|----------------------------------------------------------------------------------------------------------|-----------------------------------------------------------------------------------------------------------------|---------------------------------------------------------------------------------------------------------------------------------------------------------------------------------------------------------------------------|
| Count following parts quantity before assembly.                                                          |                                                                                                                 | The first time you sit, all components will lock together.                                                                                                                                                                |
| ① BACKREST*1<br>      | ⑤ GASLIFT*1<br>              |  <p>SEAT SLIDE (PULL)</p>                                                                                                              |
| ② SEAT*1<br>          | ⑥ SCREWS<br>M6x28*6 sets<br> |                                                                                                                                                                                                                           |
| ③ ARMREST L*1&R*1<br> | ⑦ SCREWS<br>M6x55*2sets<br>  |  <p>BACKREST TILT LOCK</p>  <p>GASLIFT UP/DOWN</p> |
| ④ BASE*1<br>          | ⑧ WRENCH<br>M6*1<br>         |                                                                                                                                                                                                                           |

