

MARKANT



DESIGNPREIS
2008
NOMINEE



reddot design award
winner 2008



product
design
award
2008



M2

Specsheet





M2

Fluid Motion Plus

We spend a great deal of our lives sitting, despite our anatomy dictates otherwise. Sitting comfort and support are increasingly important due to the prevalence of musculoskeletal disorders. They are also associated with several risk biomarkers of cardio-metabolic health. A fully adjustable task chair of solutions may help with minimizing the risk of suffering these disturbances.

Prolonged seated working presents several problems for physical health; the neck, shoulders, arms and legs. Sitting may be inevitable; so is coming up with answers to minimize fatigue. M2 is highly adjustable; Fluid Motion Plus® mechanism, and other solutions are featured in the fully adjustable arms, front-tilt, optional lumbar and neck supports and in the seat slide. Fabric, leather or eco-leather seating; leather or open mesh backrest is available options.

M2 has 25 degrees backrest tilt capacity , and it may be locked in 4 different positions. In addition to Fluid Motion® mechanism, Fluid Motion Plus® has a 8 degree front-tilt and seat slide features. During the back tilt, the seat moves about 2.7/1, and M2 offers a balanced protection of the distance between the lower back and sitting surface.

- Supports freedom of movement and promotes dynamic sitting.
- 70 cm base diameter to assure stability against tipping over.
- Castor wheel options for soft and hard floor use.
- Features two types of locking wheel mechanisms for increased

M2's high quality and safety standards have been approved internationally by GS Certification from LGA (Landesgewerbeanstalt Bayern) Institute.



TS en ISO 9241-5



member of



Rat für Formgebung
German Design Council

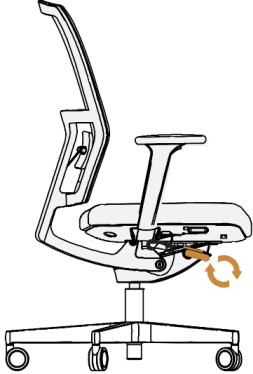
Mechanism



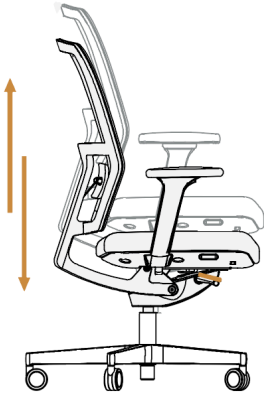
Front Tilt



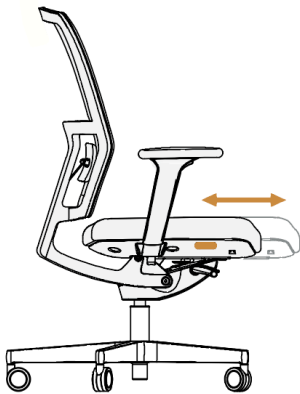
Back Tilt Synchron



Tension Adjustment



Height Adjustment



Seat Slide

Armrests



AR12 (3D)
Black

Color armrest



Black

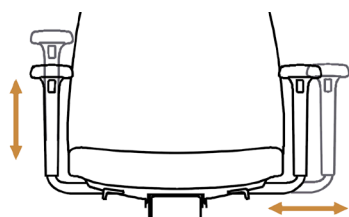


White

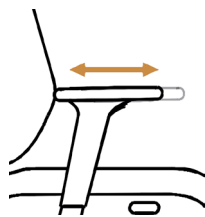
Color PU pad



Black



Armrest Width/Height



Armrest Depth

- Width adjustment at armrest carrier
- Height adjustability
- Depth adjustment of the pad (back and forth)

Bases



Black



White

Castors



Soft Floor 60mm
(Carpet etc.)
Brake unload



Hard Floor 60mm
(Parquet etc.)
Brake unload

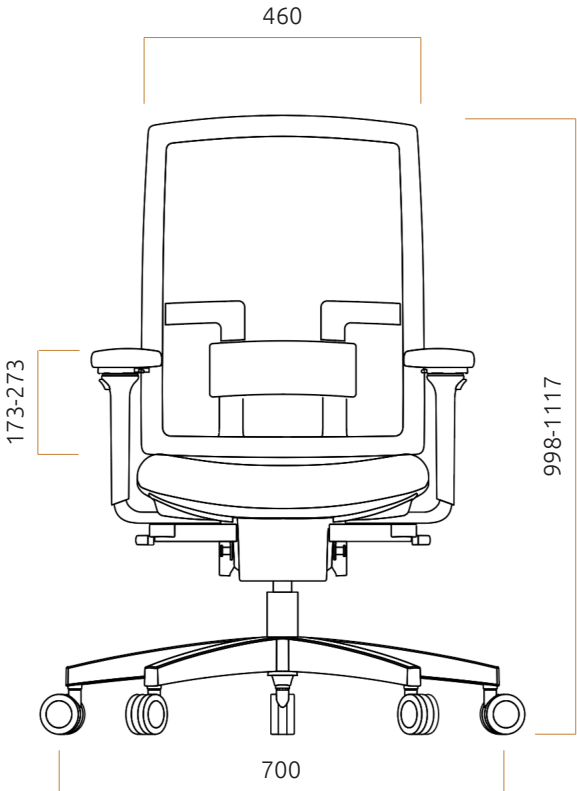
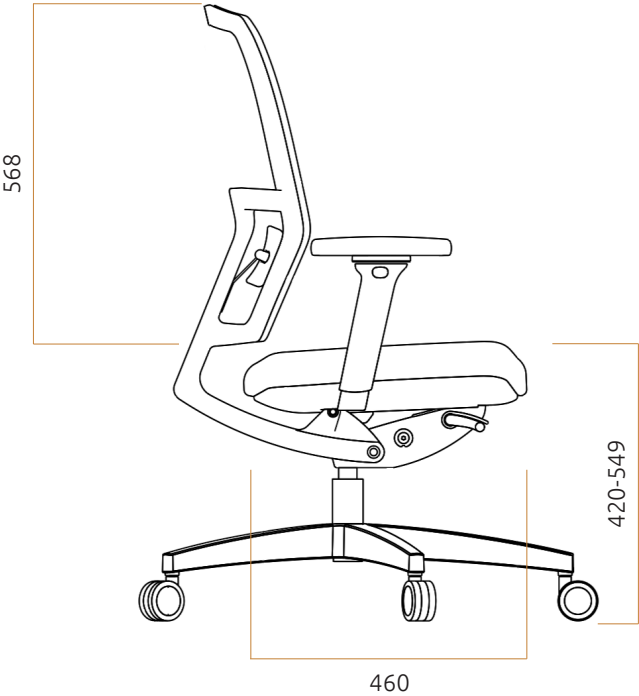
Materials



Frame comes with black and light grey color options; PP legs comply with the frame color.

Seat upholstery in black or grey fabric according to frame color. Backrest is in mesh.

Dimensions (mm)



Technical features

Spending most of the day sitting down causes permanent health problems. It is of great importance to use a high-performance task chair for desk work in order to prevent longterm sitting from being the trigger of these problems. M2, which we designed to create a healthy and personal working environment, supports a dynamic sitting thanks to its Fluid Motion Plus mechanism that allows high level and precise adjustment.

Mechanism that allows you to move while sitting, it relaxes your blood circulation and muscles and minimizes the discomfort and fatigue caused by prolonged sitting.

It has versatile adjustable armrests, optional lumbar and neck support, ventilated mesh back and feet that serve different purposes. The Fluid Motion Plus mechanism has 8 degrees of forward tilt capability and seating depth adjustment. Thanks to the forward tilt feature that only a few seats in the world have, M2 enables the leg and back muscles to work even while sitting. M2's feet with a diameter of 70 cm protect its balance even when the center of gravity changes, preventing falls and the risk of injury due to falling.

The specially designed Fluid Motion Plus mechanism, M2 is not only a personal study chair, but also a health tool that increases your productivity.

Back Tilt

Produced in European standards, M2 is suitable for users between 45 and 120 kg. M2 has 25-degree tilt movement to the rear and can be locked at 4 different angles. M2 Fluid Motion Plus has the ability to tilt forward 8 degrees.

During the back movement, the seat cushion moves at a rate of 2.7/1 and maintains the distance between the waist and the sitting surface in a balanced way.

Tilt Forward

M2 Fluid Motion Plus, with its Front Tilt feature that provides 8 degrees of tilt to the front, also protects your upper body in an upright position, reducing fatigue and pressure on nerves, spine, shoulders and neck.

Thanks to M2's three-dimensional organic form developed with high technology, it shows reflexes in harmony with your anatomy while working in a way that very few seats in the world can do. Thus, it protects your waist, spine and neck.

Seating Depth

Adjustable sitting depth in office chairs provides the right sitting position for users with different leg lengths. Fluid Motion compatible with your body M2's unique Fluid Motion mechanism has easily adjustable high sensitivity and easily adjustable tread stiffness in order to maintain the health and comfort of the user.

Lumbar Support

M2's lumbar support relaxes your back by adjusting to your body size.

Armrest Width

M2, whose armrests can be adjusted according to shoulder width, ensures a balanced distribution of body weight. Thus, it reduces the fatigue in the shoulders and neck.

Armrest Height

The armrest heights of M2, which can be adjusted independently of each other, can be adjusted according to the height of your desk and support your arm and wrist. Thus, it minimizes discomforts such as carpal tunnel that may occur in the elbow and wrist.

MARKANT

'It's about the way you work'

T +31 (0) 30 693 69 69

E sales@markantoffice.com

markantoffice.com